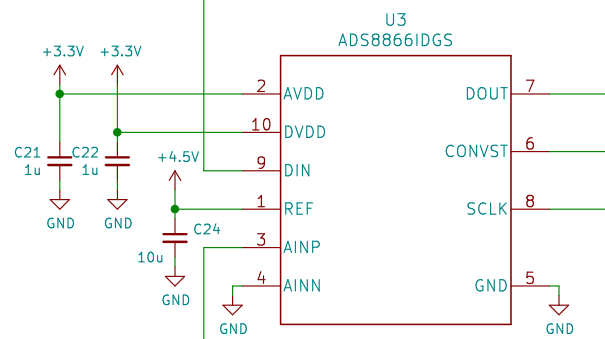
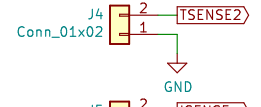
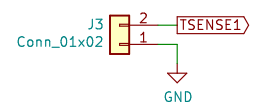
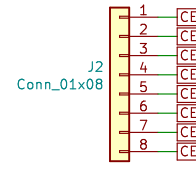
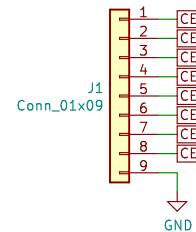
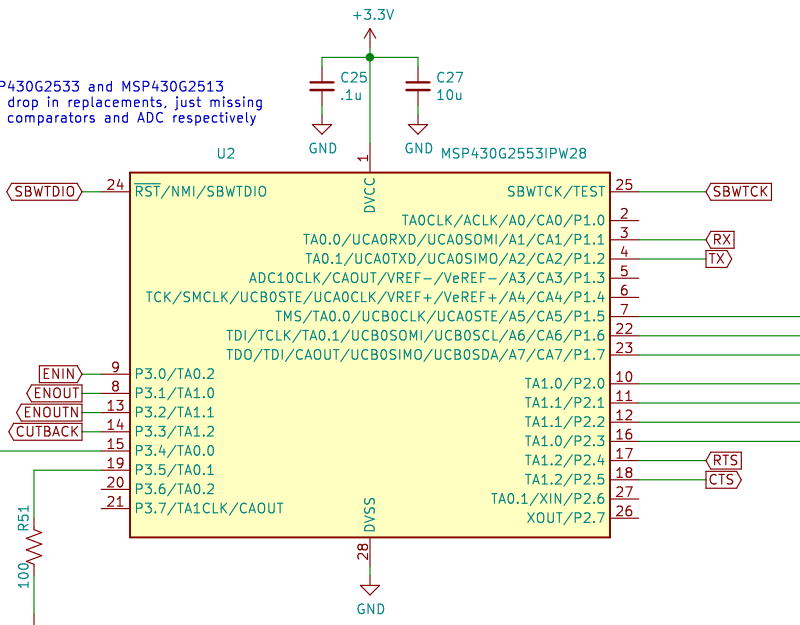
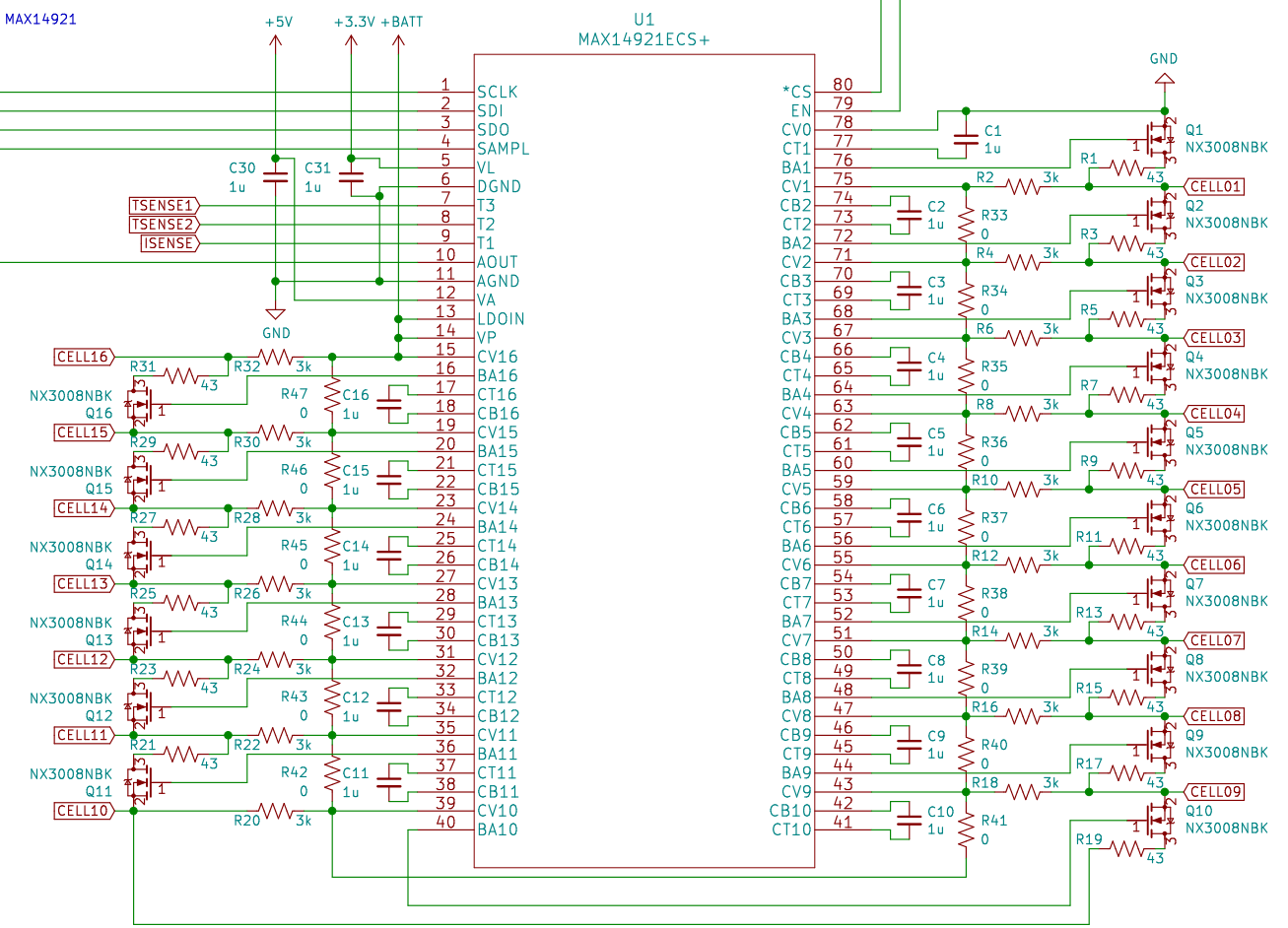


MSP430G2533 and MSP430G2513 are drop in replacements, just missing the comparators and ADC respectively



10mA Linear Regulator in MAX14921



Balancing Resistors:
 43 Ohms
 1 W
 $(5V)^2 / (43 \text{ Ohm}) = 0.6 \text{ W}$

Replace 3k resistor with 0.5A fuse for highest cell. Load jumpers to connect highest cell to all above CV inputs, VP, and LDIOIN. No load sampling capacitors, input resistors, balancing MOSFETs, and balancing resistors for unused cells.

Sheet: /		File: BMS.sch	
Title:			
Size: USLedger	Date:	Rev:	
KiCad E.D.A. kicad	(5.1.5)-3	Id: 1/1	